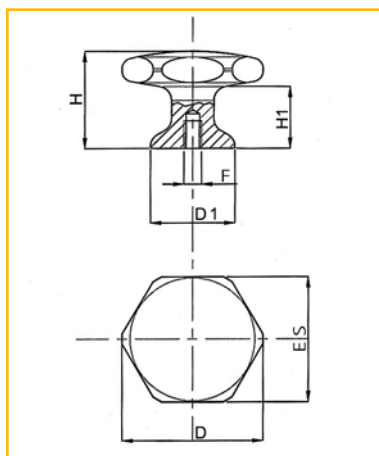


Bouton

| CODE | DESIGNATION | DIMENSIONS | | | | | |
|-------------|---------------|------------|----|----|------|----|---|
| | | D | D1 | H | H1 | G | F |
| MA-30000/40 | BOUTON D40 D5 | 40 | 14 | 25 | 12,5 | 18 | 5 |
| MA-30010/50 | BOUTON D50 D5 | 50 | 18 | 32 | 17,5 | 21 | 5 |
| MA-30020/60 | BOUTON D60 D5 | 60 | 20 | 40 | 20 | 25 | 5 |
| MA-30030/65 | BOUTON D65 D5 | 65 | 20 | 40 | 20 | 25 | 5 |

2



| CODE | DESIGNATION | DIMENSIONS | | | | | |
|------------------|---------------|------------|----|----|----|----|----|
| | | D | D1 | ES | F | H | H1 |
| MA-30010E/33SL24 | BOUTON D33 M5 | 33 | 19 | 30 | M5 | 24 | 13 |
| MA-30020E/40SL28 | BOUTON D40 M5 | 40 | 24 | 36 | M5 | 28 | 16 |
| MA-30030E/50SL30 | BOUTON D50 M5 | 50 | 24 | 46 | M5 | 30 | 16 |

Matière

Acier inox AISI 304 (316 sur demande)
surface polie.

Note

Bouton sans cavité, particulièrement adapté
aux applications destinées aux industries
pharmaceutiques, chimiques et alimentaires.