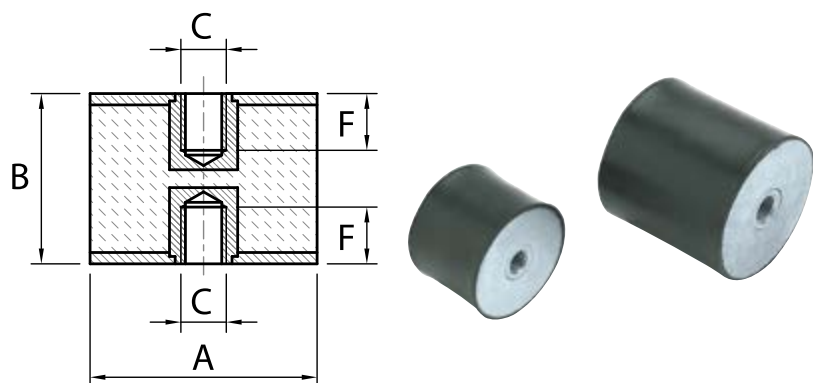


Accessoires antivibratoires



Plots cylindriques
Série FF
 Femelle/femelle

CODE	DÉSIGNATION	DIMENSIONS				CHARGE MAXI daN	
		A	B	C	F	Compression	Cisaillement
G-A1FF1515	Plot FF 15x15 M4 60 Sh	15	15	M4	4	15	2
G-A1FF2015	Plot FF 20x15 M6 60 Sh	20	15	M6	6	17	2
G-A1FF2020	Plot FF 20x20 M6 60 Sh	20	20	M6	6	20	2
G-A1FF2025	Plot FF 20x25 M6 60 Sh	20	25	M6	6	18	2
G-A1FF2030	Plot FF 20x30 M6 60 Sh	20	30	M6	6	16	2
G-A1FF2515	Plot FF 25x15 M6 60 Sh	25	15	M6	*	48	7
G-A1FF2520	Plot FF 25x20 M6 60 Sh	25	20	M6	6	45	5
G-A1FF2525	Plot FF 25x25 M6 60 Sh	25	25	M6	6	42	4
G-A1FF2530	Plot FF 25x30 M6 60 Sh	25	30	M6	6	35	3
G-A1FF3020	Plot FF 30x20 M8 60 Sh	30	20	M8	8	66	9
G-A1FF3030	Plot FF 30x30 M8 60 Sh	30	30	M8	8	61	8
G-A1FF3040	Plot FF 30x40 M8 60 Sh	30	40	M8	8	54	5
G-A1FF4030/8	Plot FF 40x30 M8 60 Sh	40	30	M8	8	98	15
G-A1FF4030/10	Plot FF 40x30 M10 60 Sh	40	30	M10	10	98	15
G-A1FF4035/8	Plot FF 40x35 M8 60 Sh	40	35	M8	8	108	13
G-A1FF4040/8	Plot FF 40x40 M8 60 Sh	40	40	M8	8	108	13
G-A1FF4040/10	Plot FF 40x40 M10 60 Sh	40	40	M10	10	108	13
G-A1FF5030	Plot FF 50x30 M10 60 Sh	50	30	M10	10	169	19
G-A1FF5040	Plot FF 50x40 M10 60 Sh	50	40	M10	10	144	17
G-A1FF5050	Plot FF 50x50 M10 60 Sh	50	50	M10	10	134	13
G-A1FF6030/10	Plot FF 60x30 M10 60 Sh	60	30	M10	10	210	30
G-A1FF6030/12	Plot FF 60x30 M12 60 Sh	60	30	M12	12	210	30
G-A1FF6040/12	Plot FF 60x40 M12 60 Sh	60	40	M12	12	210	30
G-A1FF6050/10	Plot FF 60x50 M10 60 Sh	60	50	M10	10	200	24
G-A1FF7530	Plot FF 75x30 M12 60 Sh	75	30	M12	12	390	90
G-A1FF7540	Plot FF 75x40 M12 60 Sh	75	40	M12	12	378	78
G-A1FF7550	Plot FF 75x50 M12 60 Sh	75	50	M12	12	373	68
G-A1FF10050	Plot FF 100x50 M16 60 Sh	100	50	M16	16	660	98
G-A1FF10055	Plot FF 100x55 M16 60 Sh	100	55	M16	16	636	78
G-A1FF10060	Plot FF 100x60 M16 60 Sh	100	60	M16	16	590	49

matière

Corps : en élastomère NR/SBR.
 Dureté : 60° shore A (tolérance +/- 5 SH).
 Parties métalliques : en acier zingué.

note

Sur demande matière spéciale.
 * Insert ouvert.